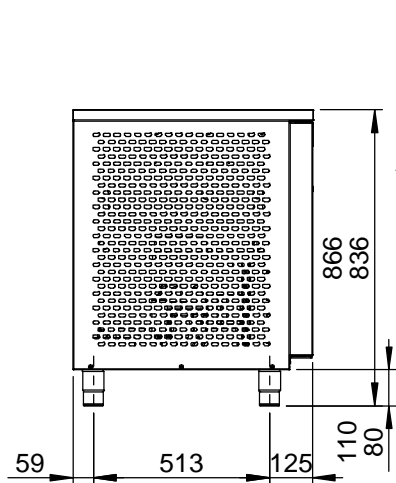
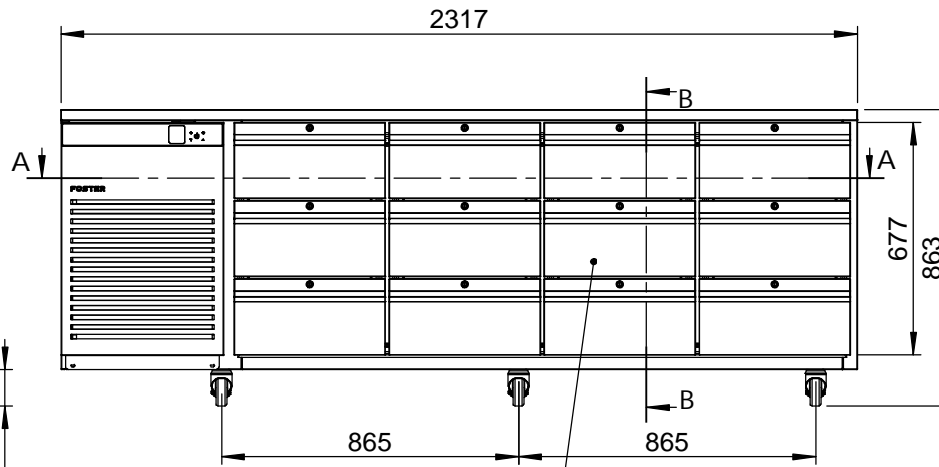


ORIGINAL DWG No.:

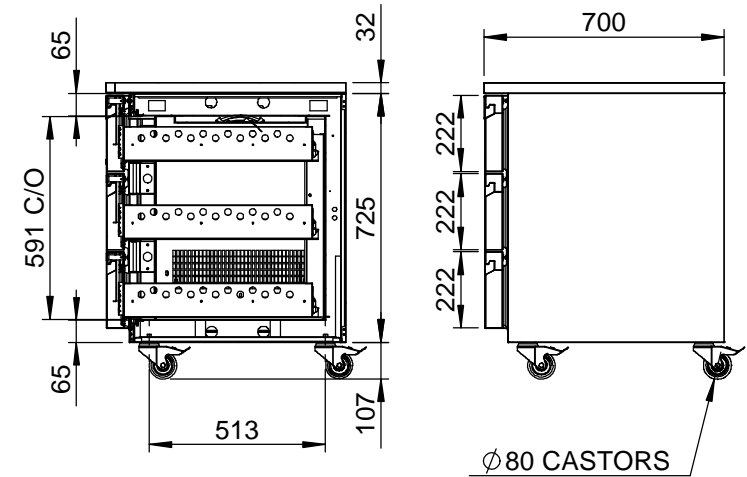
Sheet: 5 OF 11



WHEN SUPPLIED WITH LEGS



DOOR REMOVED FOR CLARITY



Ø 80 CASTORS

01		
Part No	Description	MISC
Complete Part Number = 01-276228-XX XX (Where XX = two digit number as above)		



AE		SN	15/04/2010
REV.		BY	DATE
Tolerance : ±1.5 (UOS)		DESCRIPTION	
Scale : 1:22		Drawing No: - 01-276228-00-BE	
Blank Size:		Date: 19/07/2013	
Title: EP 1-4 L/H		Drawn : SN	
Title: GENERAL ARRANGEMENT		Approved:	
		Sheet 5 of 11	